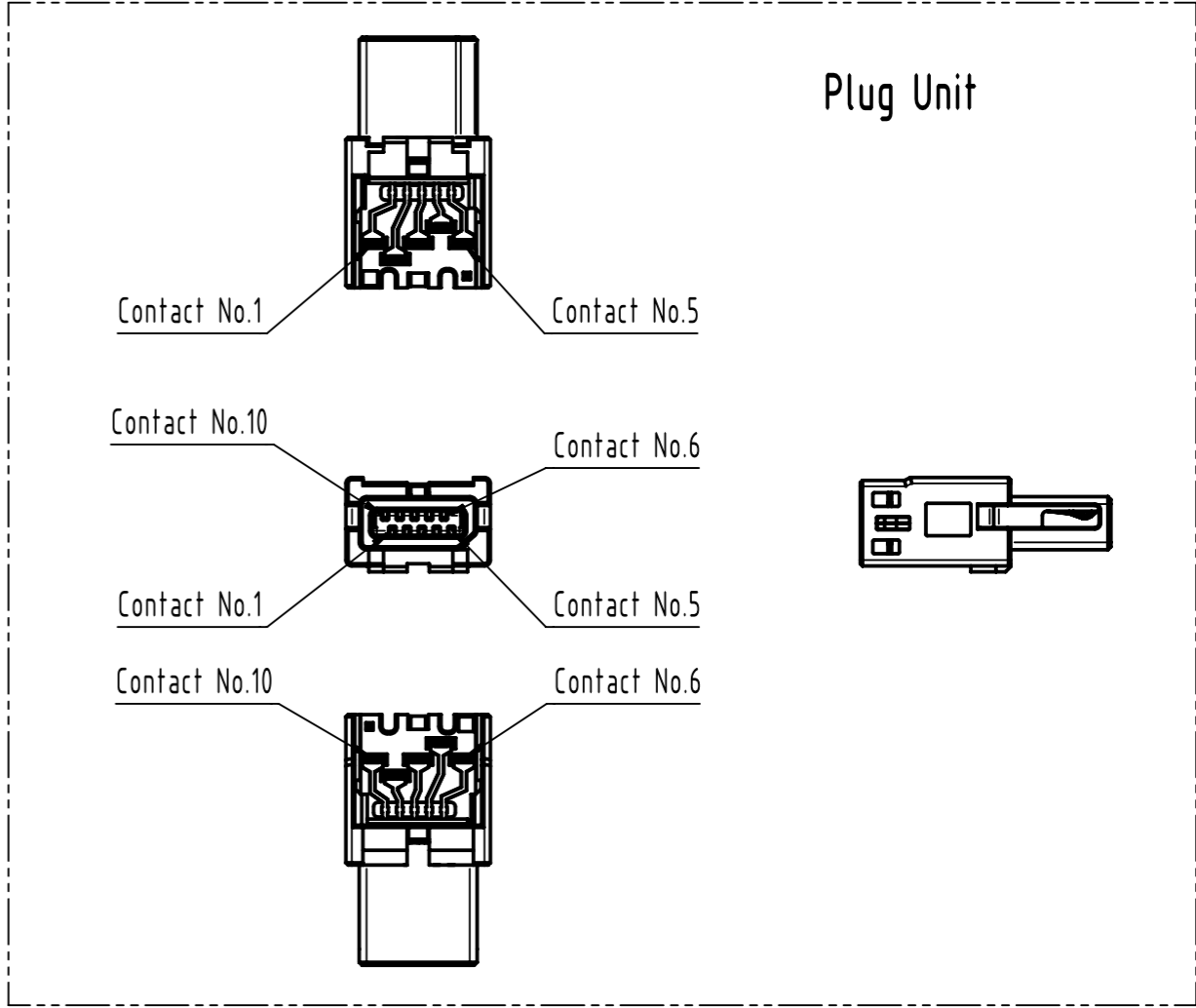
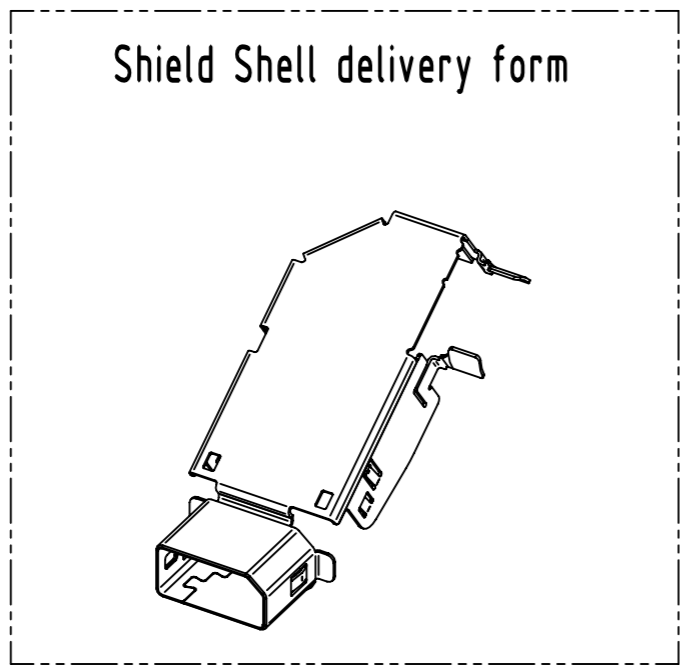


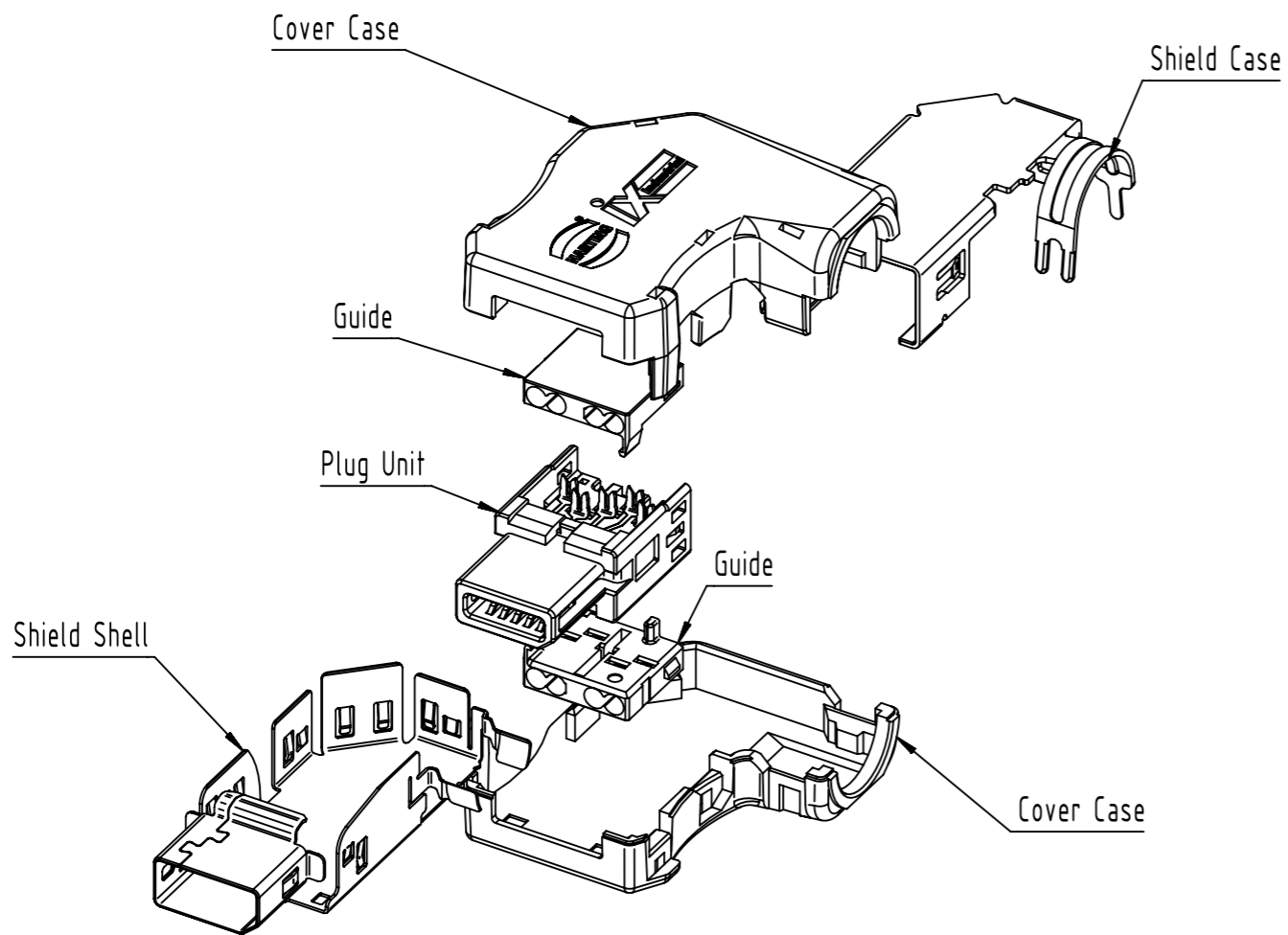
Applicable cable	
Items	Applicable condition
Conductor size	AWG 22
Insulation O.D.	Ø1,4 to 1,6 mm
Braid Shield	Tin plating
Sheath O.D.	Ø5,5mm - Ø7,2mm

Contact material: copper alloy
 Contact area: Gold 0,2µm min.
 Wiring area: Gold 0,03µm min.
 Under plating: Nickel 2µm min.

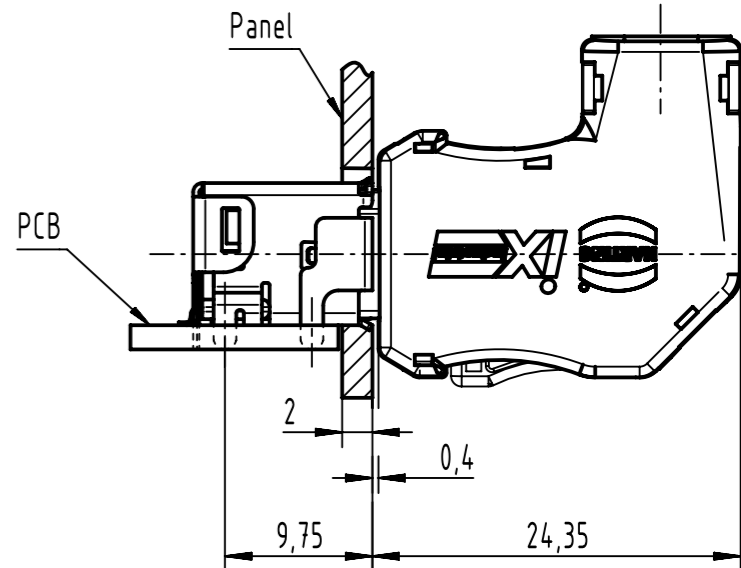
	All rights reserved Department EL PD	All Dimensions in mm Original Size DIN A3		Scale 2:1	Free size tol.	Ref. Sub.
		Created by BALSAN	Inspected by PREOTU	Standardisation ROEBEN	Date 2022-06-09	State Final Release
HARTING D-32339 Espelkamp		Title ix Industrial 10B-1 plug A3-I22			Doc-Key / ECM-Nr. 101010964/UGD/000/A 500000219077	
		Type TB	Number 09451819028XL		Rev. A	Page 1/2



Product Structure



Mating condition (2:1)



	All Dimensions in mm Original Size DIN A3	Scale 2:1	Free size tol.	Ref.	
	All rights reserved Department EL PD	Created by BALSAN	Inspected by PREOTU	Standardisation ROEBEN	Date 2022-06-09
HARTING D-32339 Espelkamp	Title ix Industrial 10B-1 plug A3-I22			Doc-Key / ECM-Nr. 101010964/UGD/000/A 500000219077	
	Type TB	Number 09451819028XL		Rev. A	Page 2/2